

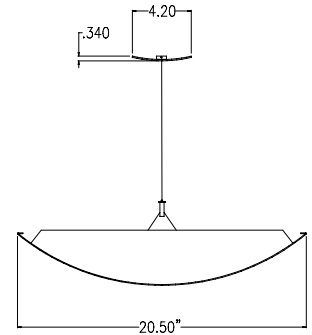
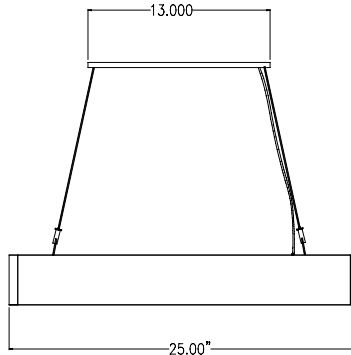
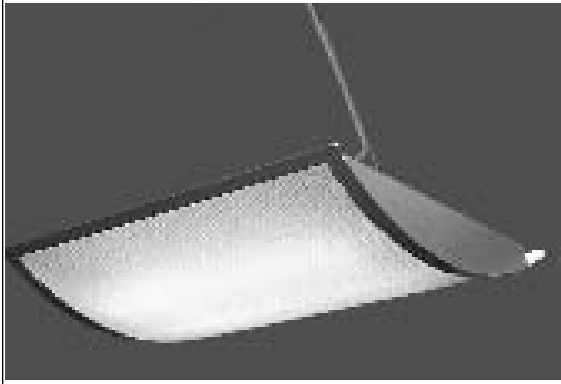
SPACE PENDANT 4 x 55W

4-55W CFL Indirect/Direct Luminaire

TYPE:

Project:

Features 4 Lamp Bi-level switching; Symmetrical illumination; Small footprint; Rapid installation



CONSTRUCTION:

Perforated curved steel body with internally suspended ballast compartment, allowing uninterrupted downwards light distribution. Two wire adjustable suspension, from a monopoint connector. One piece ecorative curved canopy. A slim .250" diameter decorative, transparent, metal shielded 4 wire cord, enables bi-level control of inboard and outboard lamps. Solid body and decorative surfaces are options.

REFLECTOR:

High performance, glare free light distribution, with an overall efficiency of 89.3%. Bi-level switched. Suitable for application with high or low ceilings.

OPTICAL EFFECT:

80%/20% Indirect/direct, with almost symmetrical distribution. High brightness creates a daylight like ambience with no noticable shadowing. and even distribution is maintained at both high and low light levels.

LAMPS: - Included:

4 - 55W Twin tube, Compact Fluorescent (4,800 Lumens/ea) (12,000Hrs). Total 19,200 Lumen output

MOUNTING:

A single suspension bar with twin steel cables, and a decorative curved canopy cover, connect to two adjustable cable grippers on the fixture. The "Y" suspension cables provide rapid installation, and toolless secure leveling. Standard 28" cable provided, other lengths available on request. Canopies and hardware supplied.

ELECTRICAL:

120/277V. Auto sensing ballast prewired, with a 30" long 4 wire flexible transparent shielded cord ready assembled for installation. Two electronic slim profile 2 lamp low THD. Universal 120 to 277V ballasts, automatically detect correct voltage. Optional Dimming ballasts add - (Dim). Emergency battery pack - add (E). UL Listed.

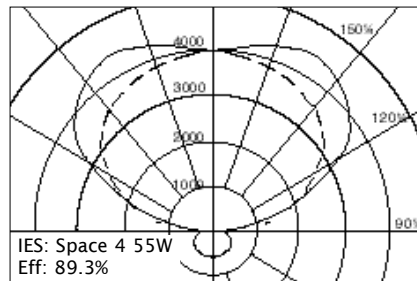
FINISH:

Polyester satin powder coat applied over a 5 stage pretreatment. 5 Standard colors - Quick-ship colors are Bright White or Silver. Custom colors- optional at added cost.

OPTIONS - Other lamping.

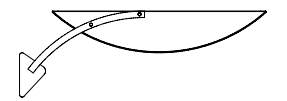
Curved Cantilever Arms - for wall or column mounting. Special brackets. Emergency and Dimming ballasts.

WEIGHT: 17Lbs

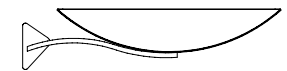


EXAMPLE TYPICAL SELECTIONS :ORG 38-1T-4-55-P-L4-NA-SB-24-UP-EL-U-0-W-H-NO															
ORG	Series	Lamp Type	# Lamps X Sect	Watts	Body	Mtg.	Lensing	Reflec.	Lgth.	Row Mtg Type	Ballast	Volts	# Thru Wires	Color	Options- (separate line item)
	38	1T-Biax 2T-Quad 3T-Triple	1 2 3 4	26 32 42 40 55	S - Solid P - Perf.			SB-Sym. Bidirectional AU - Asym Up	10 24		EL - Electronic EE - Elect. with EM. DX-Mk.X Dim'g D7-Mk.7 Dim'g EC - Eco 10 Dim'g. HL - HiLume Dim'g		0	WH - White SO - Silver CU - Custom	O-Options NO-No options.
					L4 - Cable Susp. center canopy			NA - No Lens		UP-unit power			U=Univ. 120-277 1 120 3-347 7-277		

CANTILEVER WALL BRACK-



Double Side mount

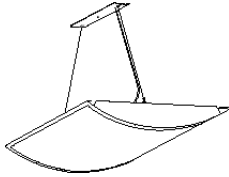
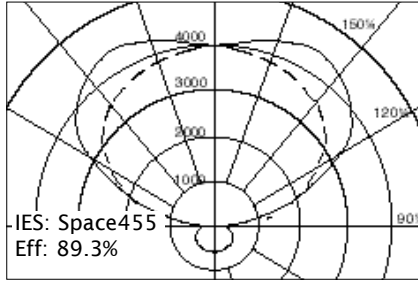


Double Center mount



SPACE PENDANT 4 x 55W CFL

Photometric Performance - Typical Classroom:
900 square ft (30'x30') Classroom.



Daylight for interiors

Optimally comfortable lighting for performing medium to highly intensive visual tasks, including computer tasks, can be best compared with outdoor daylight, with a slightly overcast, or lightly clouded sky obscuring direct sunlight.

The visual experience is one of high brightness, with low glare, and no shadowing at all angles, due to the circular-light distribution, which is reflected from the atmosphere, and terrestrial obstructions. Space pendant luminaires are designed to recreate this same illuminance indoors.

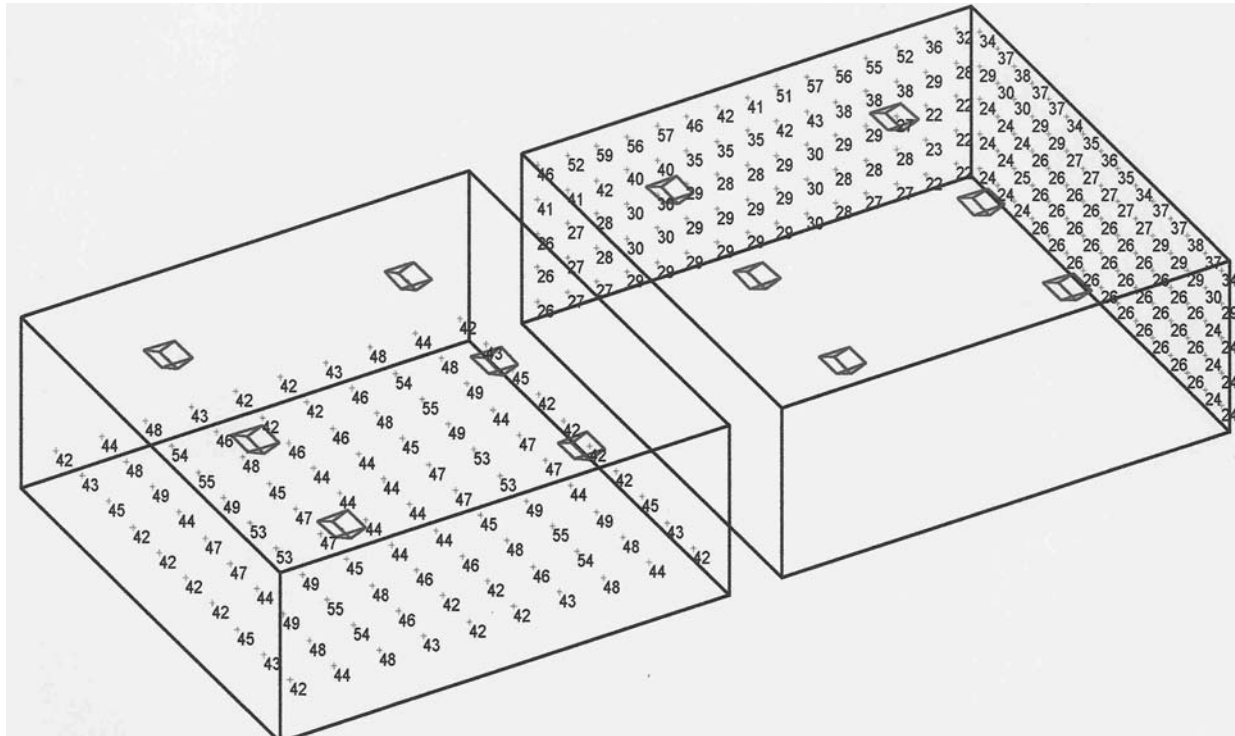
The combination of high output compact linear lamps, combined with highly efficient batwing reflector design, enables the reproduction of high brightness, and near perfect evenness, from fewer fixtures at wide spacings.

LUMINAIRE SCHEDULE								
Symbol	Label	Qty	Catalog Number	Description	Lamp	File	Lumens	LLF
	A	12	SPS-455BX	Orgatech Space Pendant Fixture	4. Osram/Sylvania 55 watt biac lamps (4800 lumen output)	SPACE455.IES	19200	0.72

STATISTICS					
Description	Avg	Max	Min	Max/Min	Avg/Min
East Wall(Copy)	28 fc	38 fc	24 fc	2:1	1:1
North Wall(Copy)	34 fc	59 fc	22 fc	3:1	2:1
Workplane	46 fc	55 fc	42 fc	1:1	1:1

SIX Space Pendant Fixtures.
Average 46 Fc. (460Lux) on the workplane maintained.

A conservative light loss factor of 0.72 was used in these calculations. A LLF of 0.80 is more appropriate with modern electronic ballasts - resulting in 10% more illuminance.

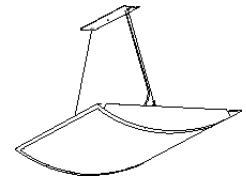




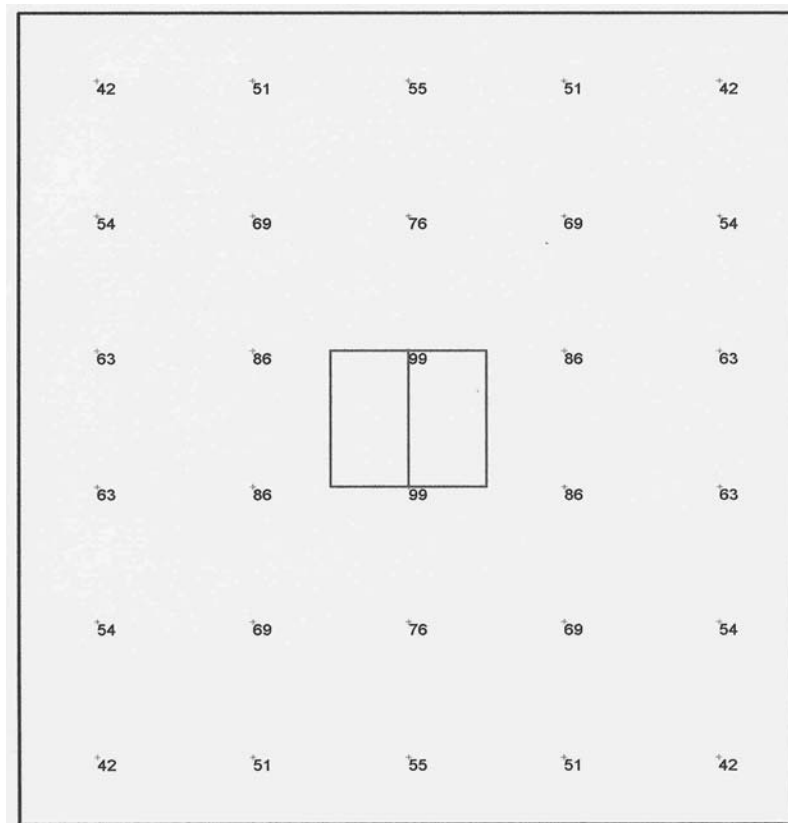
SPACE PENDANT 4 x 55W CFL

Typical performance - Private Office layouts:
120 square ft (10'x12') Office. 9' -0" ceiling.

LUMINAIRE SCHEDULE								
Symbol	Label	Qty	Catalog Number	Description	Lamp	File	Lumens	LLF
	A	1	SPS-455BX	ORGATECH Space Pendant Fixture	4, 55 watt Biax Lamps	SPACE455.IES	19200	1.00



STATISTICS						INITIAL FOOT-CANDLES 10' X12' PRIVATE OFFICE 9'-0" Ceiling Height. 7'-6" Mounting Height. 80/50/20 Surface Reflectances.
Description	Avg	Max	Min	Max/Min	Avg/Min	
Workplane	64 fc	99 fc	42 fc	2:1	2:1	



One Space Pendant Fixture mounted at 7'- 6" AFF.
9' Ceiling
64 foot-candles average - initial.

More remarkable than the light levels, is the visual comfort. Freedom from glare and shadows, yet enough light for the most discerning of tasks, and an ambience which truly resembles daylight.

Installation and maintenance are as simple as installing a residential pendant.

Bi-level switching provides low cost energy savings

Performance Fact:

Compact fluorescent is increasingly replacing H.I.D.
Four, 55 watt lamps = 19,200 lumens
Maintained Light Output equal to 300 watts of metal halide.

	Initial Lumens	LLF	Fixture Efficiency	Maintained Lumens
4, 55watt Biax Lamps	19200	0.75	0.88	12672
1, 250 watt M.H. Lamp	24000	0.65	0.75	11700
1, 320 watt M.H.	30000	0.65	0.75	14625



SPACE PENDANT INSTALLATION:

All hardware provided.

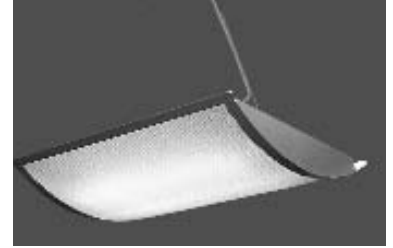
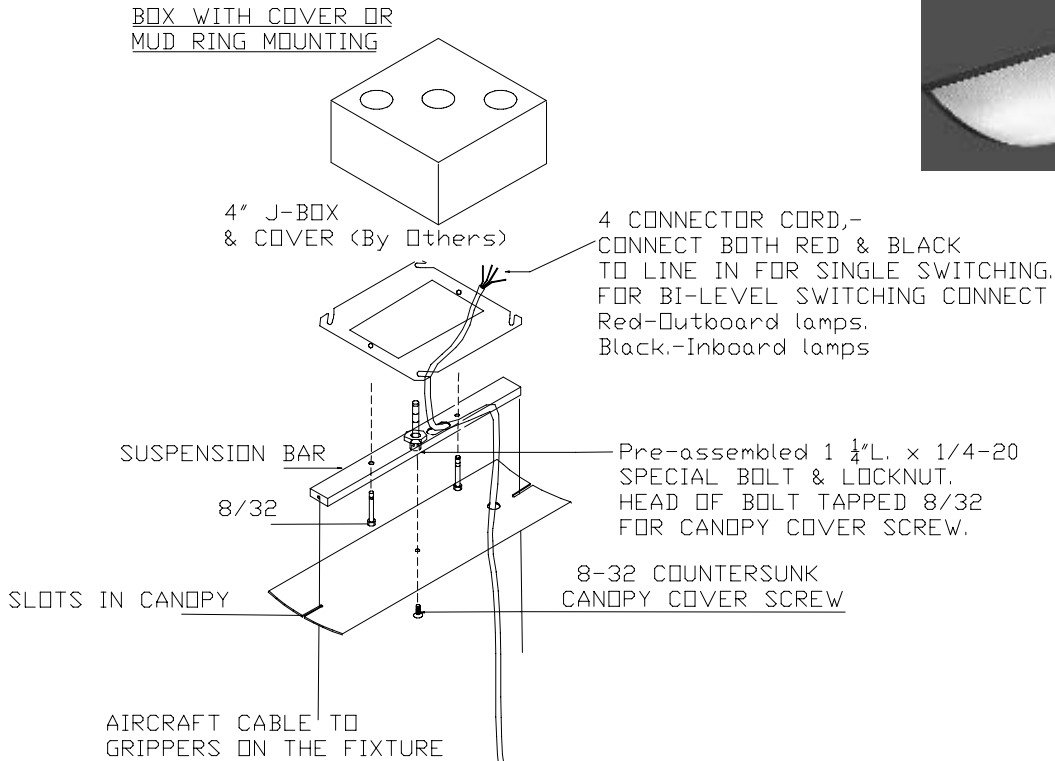
Dual ballasts with 4 lead cord for single or bi-level switching.

Out of the box installation - no assembly required.

4 x 55W CFL lamps provided.

Before installing:- Disconnect power.
Check that the fixture label indicates the correct voltage. "Universal 120 - 277 V", indicates that the ballast will automatically sense the correct voltage.

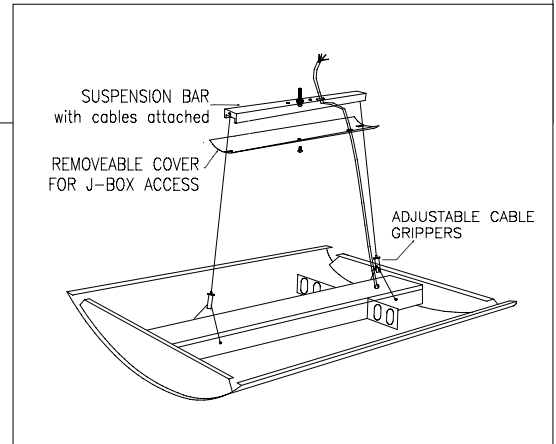
Mounting the Suspension Bar directly to a J-Box



1. Attach the 11\" Suspension Bar supporting the cables to a flat cover or mud ring. Universal holes provide adjustment to fit directly to any cover with 8-32 screws.

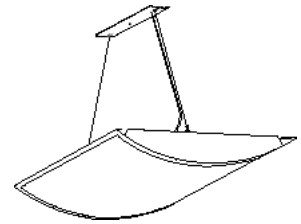
2. Take the Space Pendant fixture from the packaging and attach by sliding the aircraft cables into the two grippers on the \"Y\" cables on the fixture. Feed the Cord through the hole in the Suspension Bar and make connections.

3. Remove the 6-32 Countersunk Canopy cover screw from the head of the special 1/4-20 Bolt to connect the cover in place, and install lamps.

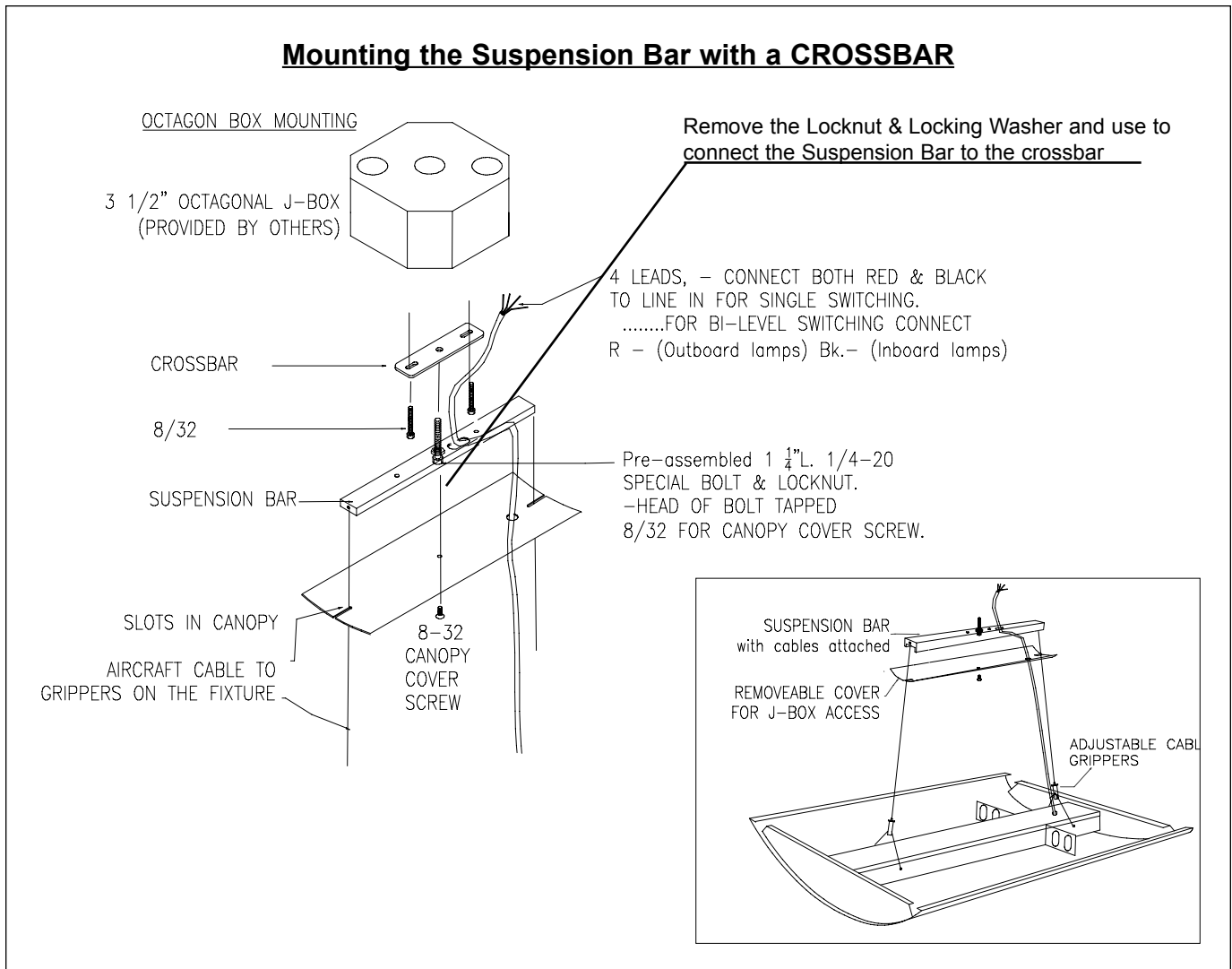


Installation Components
are designed to enable,
one-man installation on pre
aligned J-Boxes.

Before installing:- Disconnect power.
Check that the fixture label indicates the correct voltage. "Universal 120 - 277 V", indicates that the ballast will automatically sense the correct voltage.



Mounting the Suspension Bar with a CROSSBAR



Attach a 1/4-20 threaded crossbar to the J-Box. Remove the locking washer and Locknut from the Suspension Bar bolt and reinstall behind the crossbar. Tighten the bolt, and fit the locknut on the 1/4-20 Bolt to lock in place.

Suspension Bars have multiple holes allowing installation directly to any flat surface with appropriate hardware.

Specifications are correct at the time of publishing, but may be modified or improved in accordance with current electrical, safety or manufacturing methods without notification.